

| | |
|-------|----------------|
| brand | PARTNER |
|-------|----------------|

| | | |
|------|---------|-----------|
| date | SEPT/03 | SHEET 1/2 |
|------|---------|-----------|

| | |
|--------------|-----------|
| Model | Prefix |
| P1535 | 01 |
| | |
| | |

| |
|------------------|
| Product number |
| 953900172 |
| |
| |

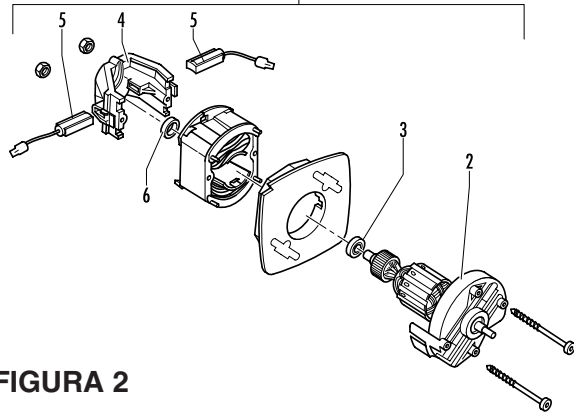


FIGURA 2

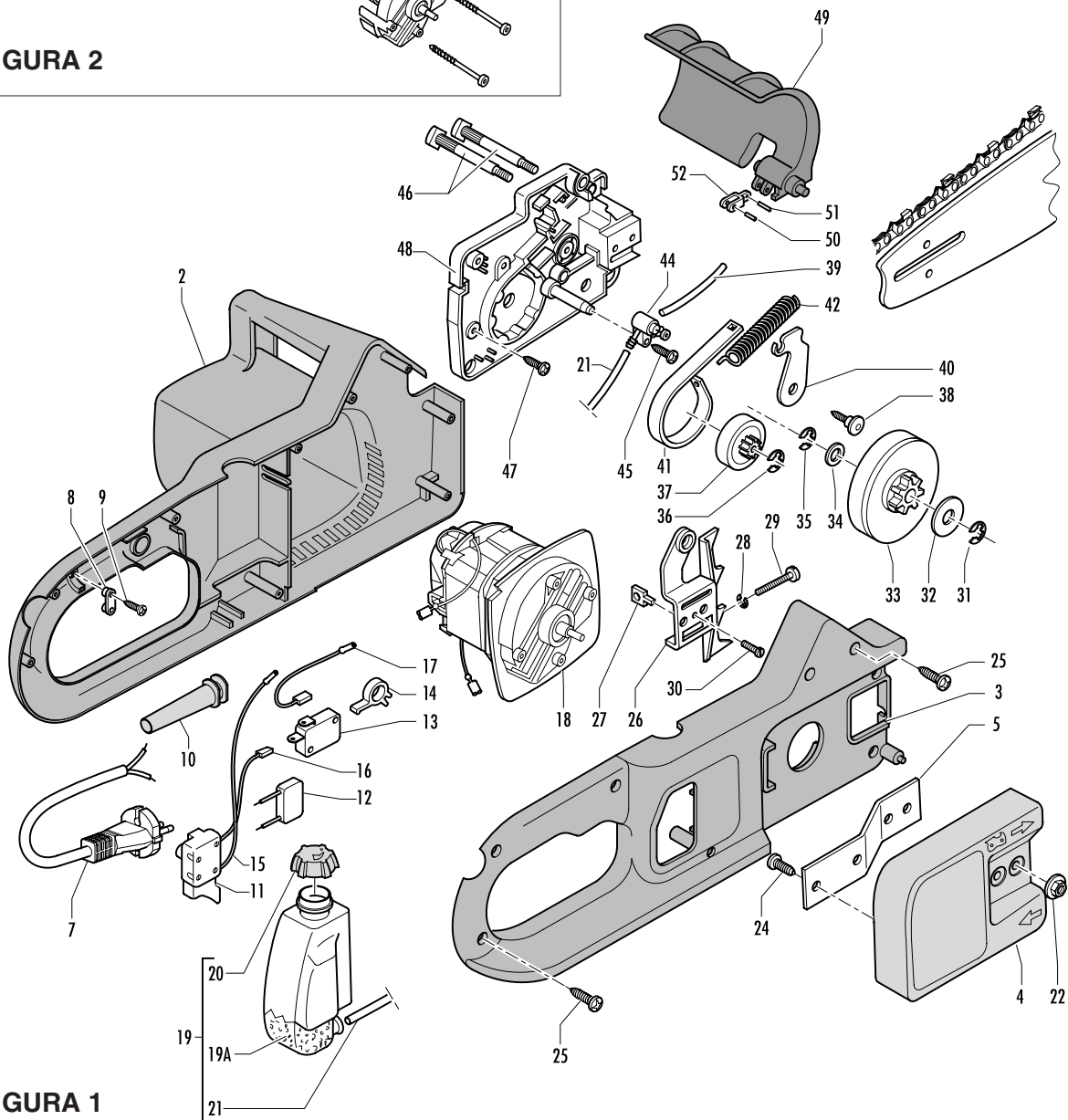


FIGURA 1

| | |
|-------|----------------|
| brand | PARTNER |
|-------|----------------|

| | | |
|------|---------|-----------|
| date | SEPT/03 | SHEET 2/2 |
|------|---------|-----------|

| | |
|--------------|--------|
| Model | Prefix |
| P1535 | 01 |
| | |
| | |

| |
|------------------|
| Product number |
| 953900172 |
| |
| |

FIGURA 1

| pos | P/N McC | P/N ELX | Qty | DESCRIPTION |
|------|-----------------|-----------|-----|--------------------------|
| 2 | 241847 | 538241847 | 1 | left crankcase kit |
| 3 | 241848 | 538241848 | 1 | right crankcase kit |
| 4 | 248317 | 538248317 | 1 | kit cover ec S300 |
| C 5 | • 241066 | 538241066 | 1 | pinion cover plate |
| C 7 | 241050 | 538241050 | 1 | wire+plug (Schuko) |
| 8 | 241052 | 538241052 | 1 | clamp |
| 9 | 241077 | 538241077 | 2 | screw M4x14 |
| 10 | 241051 | 538241051 | 1 | wire protection |
| C 11 | 241053 | 538241053 | 1 | switch |
| 12 | 240794 | 538240794 | 1 | noise reduction device |
| 13 | 229797 | 538229797 | 1 | micro switch |
| 14 | 241048 | 538241048 | 1 | switch lever |
| 15 | 241055 | 538241055 | 1 | motor/switch wire |
| 16 | 241056 | 538241056 | 1 | switch/ microswitch wire |
| 17 | 241057 | 538241057 | 1 | motor switch wire |
| C 18 | FIGURA 2 | | | |
| C 19 | 4305 | 538004305 | 1 | oil tank assy |
| B 20 | • 241060 | 538241060 | 1 | oil cap |
| C 21 | • 242402 | 538242402 | 1 | oil tube |
| A 22 | 235217 | 538235217 | 1 | M6 nut |
| 25 | 240862 | 538240862 | 8 | screw M4x18 |
| 26 | 241036 | 538241036 | 1 | spike |
| A 27 | 241037 | 538241037 | 1 | chain tensioner nut |
| B 28 | 235367 | 538235367 | 1 | benzing d.4 |
| B 29 | 241167 | 538241167 | 1 | screw M5x30 |
| 30 | 229082 | 538229082 | 1 | screw M 2,9x 9,5 |
| B 31 | 229137 | 538229137 | 1 | d.8 ring |
| C 32 | 241075 | 538241075 | 1 | 10x30x0,8mm washer |
| B 33 | 241038 | 538241038 | 1 | es gear assy |
| C 34 | 241074 | 538241074 | 1 | 10x15x1mm washer |
| 35 | 229137 | 538229137 | 1 | d.8 ring |

| pos | P/N McC | P/N ELX | Qty | DESCRIPTION |
|------|----------|-----------|-----|--------------------------|
| 36 | 241073 | 538241073 | 1 | d 8 mm. seeger ring |
| 37 | 241041 | 538241041 | 1 | pinion |
| 38 | 241045 | 538241045 | 1 | screw M 4x14 |
| 39 | 227139 | 538227139 | 1 | oil tube |
| 40 | 241044 | 538241044 | 1 | lever |
| 41 | 241500 | 538241500 | 1 | brake metal stripping |
| 42 | 241451 | 538241451 | 1 | brake spring |
| B 44 | 241183 | 538241183 | 1 | oil pump assy |
| 45 | 240862 | 538240862 | 1 | screw M4x18 |
| A 46 | 241035 | 538241035 | 2 | screw |
| 47 | 240862 | 538240862 | 5 | screw M4x18 |
| 48 | 241029 | 538241029 | 1 | motor holder |
| C 49 | 247717 | 538247717 | 1 | brake lever assy (black) |
| 50 | • 229394 | 538229394 | 1 | needle bearing |
| 51 | • 241144 | 538241144 | 1 | pin |
| 52 | • 241043 | 538241043 | 1 | toggle |
| C 53 | 242365 | 538242365 | 1 | oil filter |

FIGURA 2

| pos | P/N McC | P/N ELX | Qty | DESCRIPTION |
|-----|------------|-----------|-----|----------------|
| C 1 | 242401 | 538242401 | 1 | motor |
| C 3 | • 00216404 | 538216404 | 1 | bearing |
| C 4 | • 00248957 | 538048957 | 1 | brushes holder |
| C 5 | • 00248956 | 538048956 | 2 | brushes |
| C 6 | • 00216400 | 538216400 | 1 | bearing |

A= ALTA ROTAZIONE
B=MEDIA ROTAZIONE
C=BASSA ROTAZIONE

A=HIGH MOVING
B=MEDIUM MOVING
C=SLOW MOVING

A=HAUTE DEMANDE
B=MOYENNE DEMANDE
C=BASSE DEMANDE

A=GROBE NACHFRAGE
B=MITTELMAEBIGE
C=WENIGE NACHFRAGE